

Q&A

Wear bushes

There is a single wear bush in SB hammers and two wear bushes (known as upper and lower) in larger EC, MB and HB hammers. Correctly used and greased, hammer wear bushes can last a very long time.

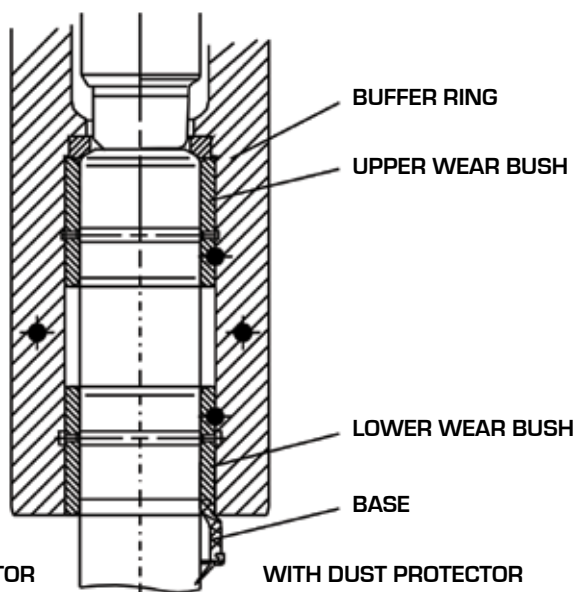
There are two key factors that affect hammer bush wear - loading and lubrication.

A very commonly seen way to wear out wear bushes quickly is to side load the hammer tool during use. This pushes the tool up hard against one side of the bush, causing a point load and stopping grease from getting to the area. In larger hammers, this misuse of the hammer will result in very short bush wear life, sometimes as little as a shift in very hard conditions.

The second common way is lack of lubrication or greasing. Much like a car engine, without oil it will stop very quickly. Low greasing levels results in the tool and bush working against each other to generate heat and effectively melts the bush against the tool against the tool over time. This creates premature wear of the bush, but can also create failure of the tool.

Left unchecked, bush wear can result in catastrophic failure of the hammer, irreversibly damaging the front head mechanism and piston which is costly to replace.

By using the hammer correctly, vertically loading the tool before firing and ensuring that the grease system is always delivering grease, a long wear bush life can be expected, with changing only needed during general service intervals.



WITHOUT DUST PROTECTOR

WITH DUST PROTECTOR



**BREAKERS &
ATTACHMENTS**



FOLLOW US ON:    

WWW.BAEG.COM.AU
sales@baeg.com.au